



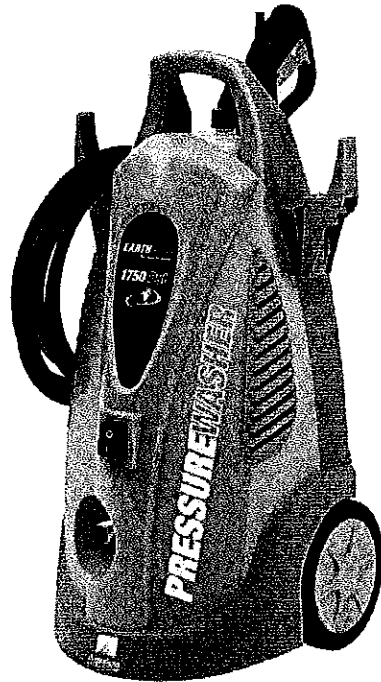
OPERATOR'S MANUAL

ELECTRIC PRESSURE WASHER

This product is covered by U.S. patents and other international patents

Copyright. All Rights Reserved.

Model PW01750



FEATURES

- | | |
|--|-------------------------------|
| Max. Pressure 1750 PSI | - Auto stop function |
| Rated Pressure 1350 PSI | - UL plug with GFCI |
| Inlet Pressure Range . . 40 PSI – 70 PSI | - 1.6 GPM |
| Supply Power 110-120 V/60 Hz | - 35 ft. Electric Cord Length |
| Electrical Requirements 13 Amp | - Plastic Spray Gun |
| Weight 30 lbs. | - Built-In Soap Bottle |
| Hose Length 25 ft. | |

Maximum Pressure Ratings determined in accordance with PWMA. Standard PW101

Your pressure washer has been engineered and manufactured to our high standard for dependability, ease of operation, and operator safety. Properly cared for, it will give you years of rugged, trouble-free performance.

WARNING: To reduce the risk of injury, the user must read and understand the operator's manual before using this product.

Thank you for your purchase.

**DO NOT RETURN THIS PRODUCT TO THE STORE. OPERATING, ASSEMBLY, PARTS, SERVICE QUESTIONS?
CALL 1-800-313-5111 BETWEEN 7:30AM- 4:30PM EST FOR ASSISTANCE.**

SAVE THIS MANUAL FOR FUTURE REFERENCE



IMPORTANT SAFETY WARNINGS



TO REDUCE RISK OF INJURY:

Before any use, be sure everyone using this product reads and understands all safety instructions and other information contained in this manual.

Read and save these instructions and review frequently prior to use and in instructing others.



CAUTION: Wear appropriate personal hearing protection during use. Under some conditions and duration of use, noise from this product may contribute to hearing loss.



WARNING: When using electric gardening appliances, basic safety precautions should always be followed to reduce risk of fire, electric shock, and/or personal injury.



WARNING: Some dust and debris created by the use of this tool could contain chemicals known to the State of California to cause cancer and birth defects or other reproductive harm. Some examples of these chemicals are:

- * chemicals in fertilizers
- * compounds in insecticides, herbicides and pesticides
- * arsenic and chromium from chemically treated lumber.

Your risk from exposure to these chemicals varies, depending on how often you do this type of work. To reduce your exposure, work in a well-ventilated area and with approved safety equipment, such as dust masks that are specially designed to filter out microscopic particles.



WARNING: The electrical cords on this product could contain chemicals known to the State of California to cause cancer and birth defects or reproductive harm. Wash hands after handling.
READ ALL INSTRUCTIONS

GENERAL SAFETY

AVOID DANGEROUS ENVIRONMENTS – Don't use this product in rainy, stormy, damp or wet locations. Do not operate in gaseous or explosive atmospheres. Motors in these products normally spark, and the sparks might ignite fumes.

KEEP CHILDREN AWAY – All visitors, children and pets should stay at a safe distance from the work area.

DRESS PROPERLY – Don't wear loose clothing or jewelry and wear protective hair covering to contain long hair. They can be caught in moving parts. Use of rubber gloves and substantial footwear is recommended when working outdoors.

USE SAFETY GLASSES – Wear safety glasses with side shields or goggles that are marked to comply with ANSI Z87.1 standard when operating this product. Use face or dust mask if environment is dusty.

GROUND FAULT CIRCUIT INTERRUPTER (GFCI) protection should be provided on the circuit (s) or outlet (s) to be used for this product if you are using an extension cord. The product's cord has a built in GFCI. Receptacles are available having built-in GFCI protection and may be used.

USE RIGHT APPLIANCE – Do not use this product for any job except that for which it is intended.

EXTENSION CORD. Make sure your extension cord is in good condition. Use only extension cords having an electrical rating not less than the rating of this product. An undersized extension cord will cause a drop in line voltage resulting in loss of power and overheating. Use only 3-wire extension cords that have 3-prong grounding type plugs and 3-pole cord connectors that accept the plug from this product.

Cable Length	Wire Gauge
Up to 25 ft.	12 AWG

It is possible to tie the extension cord and power cord in a knot to prevent them from becoming disconnected during use. Make the knot as shown, then connect the plug end of the power cord into the receptacle end of the extension cord. This method can also be used to tie two extension cords together.



WARNING: Use outdoor extension cords marked SW-A, SOW-A, STW-A, STOW-A, SJW-A, SJTW-A, or SJTOWA. These cords are rated for outdoor use and reduce the risk of electric shock.

DISCONNECT UNIT from the power supply when not in use or when servicing or cleaning. Do not leave unattended.

Outlets with a third prong ground are required. Do not use without grounded prong.

To avoid the risk of electric shock, the water spray must never be directed towards any electrical outlets or wiring or directly towards the pressure washer equipment itself.

Know how to stop the equipment and bleed pressures quickly. Be thoroughly familiar with the controls.

Never tie knots or kink the high pressure hose as damage could result.



CAUTION: Use clean water and neutral detergent only. Do not use acids or solvents as they may cause injuries to the operator and irreversible damage to the equipment.



GROUNDING: This product must be grounded. If it should malfunction or breaks down, grounding provides a path of least resistance for electric current to reduce the risk of electric shock. This product is equipped with a cord having an equipment-grounding conductor and a grounding plug. The plug must be plugged into an appropriate outlet that is properly installed and grounded in accordance with all local codes and ordinances.

To allow free air circulation, the pressure washer should NOT be covered during operation.

DON'T ABUSE CORD – Never carry this product by the cord or yank the cord to disconnect from the receptacle. Keep cord from heat, oil, and sharp edges.

AVOID UNINTENTIONAL STARTING – Don't carry the pressure washer plugged in with your finger on the switch. Be sure the switch is off when plugging in.



DANGER: Keep hands away from nozzle or water spray. Always use both hands when operating pressure washer to maintain complete control of the wand.

Never direct the water spray directly toward yourself or others in order to clean clothes, foot-wear or for any other reason.

STAY ALERT – Watch what you are doing. Use common sense. Do not operate the pressure washer when you are re tired or under the influence of drugs or medication.

STORE IDLE UNIT INDOORS – When not in use, the product should be stored indoors in a dry and high or locked-up place, out of children's reach.

MAINTAIN UNIT WITH CARE – Keep clean for best performance and to reduce the risk of injury. Inspect extension cord periodically and replace if damaged. Keep handles dry, clean and free from oil and grease.

CHECK FOR DAMAGED PARTS – Before further use of the product, any part that is damaged should be carefully checked to determine that it will operate properly and perform its intended function. Check for alignment of moving parts, binding of moving parts, breakage of parts, mounting and any other condition that may affect its operation. Any part that is damaged should be properly repaired or replaced. Call our customer service help line at 1- 800- 313- 5111 for assistance.

LIGHTING - Only operate your pressure washer in daylight or good artificial light.

DON'T OVERREACH – Keep proper footing and balance at all times.



POLARIZED PLUGS – To reduce the risk of electric shock, this product has a polarized plug (one blade is wider than the other). This product must be used with a suitable polarized 3-wire extension cord. Polarized connections will fit together only one way. Make sure that the receptacle end of the extension cord has large and small blade slot widths. If the plug does not fit fully into the extension cord, reverse the plug. If it still does not fit, obtain a suitable extension cord. If the extension cord does not fit fully into the outlet, contact a qualified electrician to install the proper outlet. Do not change the tool plug or extension cord in any way.

The pressure washer must be in an upright position when in use.

Do not touch the plug or outlet with wet hands.

Disconnect from the electrical power supply prior to detaching the high pressure hose.

Do not operate or store this product in temperatures below freezing. Freeze damage is not covered by the warranty.

OPERATING

This pressure washer is equipped with a stop device which will sense when the trigger of the gun is released causing the pressure washer to stop.



WARNING: If the pressure washer fails to stop when the trigger of the gun is released, **DO NOT USE THE PRESSURE WASHER.** Call our customer service help line at 1-800-313-5111 for assistance.

This pressure washer is also equipped with a thermal safety switch that will automatically shut off the motor in the event the motor overheats. Should that occur, the switch will reset itself and you can resume normal operation after the motor has cooled down.



WARNING: To reduce the risk of electrocution, keep all connections dry and off the ground. Do not touch plug with wet hands.



WARNING: Test GFCI before each use. **DO NOT** use pressure washer if following test fails.

GFCI Test Procedures:

- Plug GFCI into power receptacle. Indicator light should be illuminated.
- Press Test button. Light should turn off.
- Press Reset button for use. Indicator light should be illuminated.

DO NOT USE if above test fails and call our customer service help line at 1-800-313-5111 for assistance.

NOTE: The GFCI must be reset each time the pressure washer is connected to an electrical outlet. Reset by simply pushing the reset button on the GFCI power plug.

WINTERIZING AND LONG-TERM STORAGE

- Run the pressure washer in low pressure until all of the soap is drained from the detergent tank.
- Pour clear water into the tank and run it through on low pressure as though it were detergent.
- Disconnect all water connections.
- Turn on the machine for a few seconds to expel any water remaining in the pump and turn off immediately.
- Do not allow the high pressure hose to become kinked.
- Store the equipment and accessories in an area where they will not freeze.

Do not store near a furnace or other source of heat as it may dry out the pump seals.

If an extension cord is used, the plug and socket must remain away from all water and moisture.

The narrow pinpoint stream is very powerful. It is not recommended for use on painted surfaces, wood surfaces or items attached with an adhesive backing.

The optimum angle for spraying water against a cleaning surface is 45 degrees.

To minimize the amount of water getting into the pressure washer, the unit should be placed as far as possible from the cleaning site during operation.

QUICK START GUIDE

* Carefully remove the pressure washer and all accessories from the carton.

* Inspect for damage and verify no parts are missing.

PARTS LIST:

Pressure Washer
Operator's Manual
Nozzle Cleaning Pin
Hose Quick Connect
Hang Hooks (2)
Gun Handle
Spray Lance
High Pressure Hose Assembly

NOTE: Any part that is damaged should be properly repaired or replaced. Call our customer service help line at 1-800-313-5111 for assistance.

* Install hang hook on each side.

* Remove plastic shipping cap from water outlet.

* Connect gun handle to the high pressure hose.

* Connect a garden hose to the water faucet. (Garden hose is not included.) **NOTE:** Do not turn on the water until after you have connected the Hose Connector to the Water Inlet Nut (Step 5)

Operating Instructions

1) Connect the high pressure hose to the water outlet at front of unit.

2) Insert spray lance into the gun handle. **NOTE:** Make sure it is locked into place. **WARNING:** If the attachment is not securely locked into place, it could be ejected when operating the gun under high pressure.

3) Connect the Hose Quick Connect to the male end of the garden hose.

4) Remove water inlet nut at the back of the washer and check the inlet water filter for debris or sediment. Clean before each use. Reconnect water inlet nut tightly after cleaning filter to prevent leaking.

5) Push the Hose Quick Connect firmly onto the Water Inlet Nut on the back of the machine.

6) Turn on the water supply

7) Plug GFCI into power receptacle. Firmly press and release the test button, then press and release the reset button, indicator light will be illuminated. Do not use if this test fails.

8) Squeeze and hold the trigger until water flow is steady, then release the trigger.

9) Turn on the pressure washer. Squeeze the trigger to start the motor. The motor only starts if the trigger of the gun is pulled and shuts off when the trigger is released. (If taking a break for longer than three (3) minutes, release the trigger and switch off the unit.)

10) Pull out spray lance for low pressure, push in for high pressure. Detergent will be dispensed on low pressure only.

After the job is completed, to disconnect the unit, turn off the water source and squeeze the trigger of the gun to release the water pressure. You may now disconnect the garden hose from the water inlet nut on the unit.



WARNING: Make sure to point the gun in a safe direction when starting the pressure washer. Serious injury could result if pointed at face, feet, animal or other people when starting pressure washer.



WARNING: Carefully read the operator's manual before using the pressure washer. Always store in a location where the temperature will not fall below freezing. Freeze damage is not covered by the warranty.



WARNING: When you are finished using the pressure washer, switch off the unit and unplug the cord from the electrical outlet.



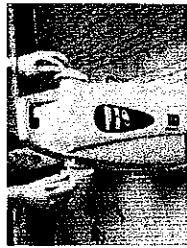
WARNING: Risk of shock. Do not touch the plug or outlet with wet hands.

Important Set Up And Operating Instructions

Basic Unit Set Up

Check to make sure all parts are included. See **QUICK START GUIDE** for parts listing.

1. Install Hang Hooks



Slide down Hang Hooks on each side of unit.
 **One hook holds the electric cord when not in use.
 **One hook holds the pressure hose when not in use.

2. Remove Cap



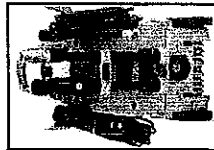
Remove the plastic cap from the front of the unit.

3. Connect Spray Gun to Pressure Hose



Connect gun handle to high pressure hose. Tighten firmly with adjustable wrench.

4. Store Spray Gun and Lance



Place Spray Gun and Spray Lance into the holders on the back of the unit.

Operating Instructions

1. Connect High Pressure Hose



Connect the high pressure hose to the water outlet at front of unit.
 Note: A small amount of light oil and water may be present in the machine outlet. This is normal.

2. Connect Spray Lance to Gun



Insert the spray lance into the gun handle. Making a ¼ turn to ensure lance is locked securely in place.

3. Attach Quick Connector to Hose



Attach the Hose Quick Connector to the male end of the garden hose.

4. Filter Cleaning



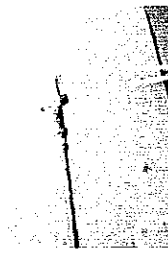
Filter located behind the rear Water Inlet Fitting should be removed and cleaned before each use.

5. Connect Hose to Unit



Firmly push the Hose Quick Connector onto the Water Inlet Fitting (located on back of unit) until you hear a **DOUBLE** click and connection is tight. (pull back the collar of the Quick Connect to allow for an easy connection.)

6. Turn on Water



Connect the garden hose to the water facet.
CAUTION: Do not turn on the water until after you have first attached the Hose Quick Connector to the unit.

7. Plug into Power Source



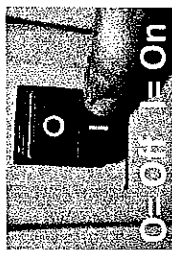
Plug GFCI into power receptacle. Firmly press and release the test button, then press and release the reset button. Indicator light will be illuminated. **DO NOT USE** if this test fails.

8. Release Trapped Air



Squeeze and hold the trigger until water flow is steady. This assures the air is released creating better pressure for operation.

9. Start Pressure Washer



Turn on the pressure washer. Squeeze the trigger to start the motor. The motor only starts if the trigger of the gun is pulled and shuts off when the trigger is released.

10. Spray Nozzle Detergent Use



Pull out spray lance nozzle firmly for low pressure. ****Detergent will be dispensed on Low Pressure Only. Push back into place to return to high pressure. **Rotate spray nozzle to control spray pattern.

Questions / Problems? DO NOT RETURN TO STORE

Please contact our Customer Service Department 1-800-313-5111 between 7:30 am-4:30 pm EST for assistance.

CLEANING TIPS

Detergent-what to use

- We recommend that you use a cleaner which is specifically designed for power washers.
- Never use bleach, ammonia or hot water in the unit.

General Cleaning Tips and Recommendations

- Pre-rinse surfaces to be cleaned with fresh water.
- Always use low pressure to apply detergent.
- Never allow the detergent to dry on the surface. If it appears that the detergent is drying before you are ready to rinse, simply wet down the area with fresh water.
- Before cleaning any surface an inconspicuous area should be cleaned to test spray pattern and distance for maximum cleaning results.
- If painted surfaces are peeling or chipping, use extreme caution as pressure washer may remove the loose paint from the surface.
- When cleaning surfaces which might come in contact with food, rinse surfaces with plenty of potable water.

Deck Cleaning

For best results, limit your work area to smaller sections of approximately 20-25 square feet. Rinse at high pressure in a long sweeping motion keeping the spray nozzle approximately 2-6 inches from the cleaning surface. Always clean from top to bottom and from left to right. When moving on to a new section of the cleaning surface, be sure to overlap the previous section to eliminate stop marks and ensure a more even cleaning result.

House Siding

For best results, limit your work area to sections of approximately 5-6 feet wide and always apply detergent from bottom to top. Rinse at high pressure from top to bottom in an even sweeping motion keeping the spray nozzle approximately 6 inches from the cleaning surface.

Cement Patios, Brick and Stone

For best results, limit your work area to smaller sections of approximately 20-25 square feet. If using detergent, allow the detergent to remain on the surface for 1-3 minutes. Rinse at high pressure in a sweeping motion keeping the spray nozzle approximately 2-6 inches from the cleaning surface. Always clean from top to bottom and from left to right.

Cars, Motorcycles & Boats

For best results, clean one side of vehicle at a time and always apply detergent from bottom to top. Do not allow detergent to dry on surface. If needed, use special wash brush attachment to remove stubborn dirt. Rinse at high pressure in a sweeping motion keeping the spray nozzle approximately 6-8 inches from the cleaning surface (increase the distance when rinsing sensitive surfaces or pin-striping). Always clean from top to bottom and from left to right. For best results, wipe surface dry with a chamois or soft dry cloth.

Outdoor Power Equipment, Gardening Tools & Grills

Allow detergent to remain on surface 1-3 minutes. Rinse at high pressure keeping the spray nozzle approximately 2-6 inches from the cleaning surface. For removing extremely stubborn dirt, it may be necessary to move the spray nozzle even closer to the surface for greater dirt cutting action.

Lawn Furniture

If needed use special Wash Brush Attachment to remove stubborn dirt. Rinse at high pressure in a sweeping motion keeping the spray nozzle approximately 3-6 inches from the cleaning surface. For best result, clean from top to bottom and from left to right.

Emptying soap dispenser

Run water through soap dispenser using gun to empty dispenser.

MAINTENANCE

If you drop the washer, carefully inspect it for damage. If you see any condition that may affect the washer's operation, call our customer service help line at 1-800-313-5111 for assistance.



CAUTION: Do not at any time let brake fluids, gasoline, petroleum-based products, penetrating oils, etc., come in contact with plastic parts. They contain chemicals that can damage, weaken or destroy plastic.

Fertilizers and other garden chemicals contain agents which greatly accelerate the corrosion of metals. Do not store the tool on or adjacent to fertilizers or chemicals



If the nozzle becomes clogged it will cause the pump pressure to increase and possibly distort the spray pattern. Clean the nozzle immediately if this should happen.
Separate the spray lance from the gun handle.
Clear the nozzle with the nozzle cleaning pin.
Flush the nozzle with water.

Reconnect the spray lance to the gun handle and restart the pressure washer. If the nozzle is still clogged, repeat the above steps.

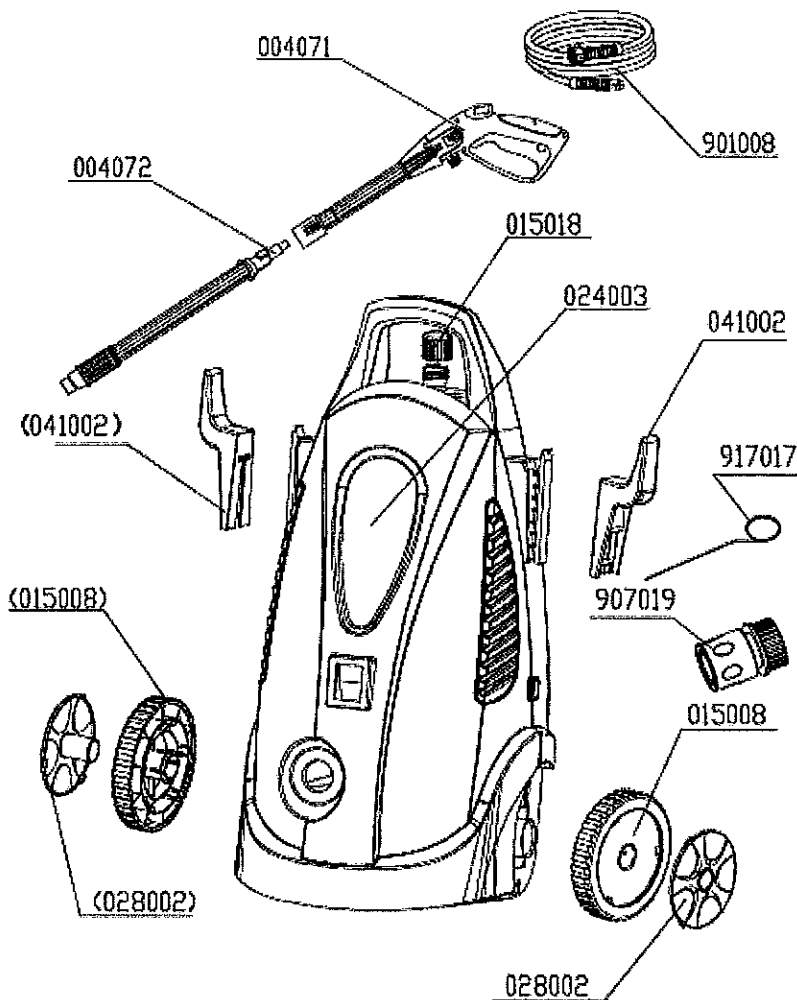


CAUTION: Use the nozzle cleaning pin only with the spray lance disconnected from the gun handle. Failure to heed this warning could result in serious injury.

IMPORTANT: To assure product SAFETY and RELIABILITY, repairs, maintenance and adjustment should be performed by a qualified individual using identical replacement parts.

CALL US FIRST !!

Call us first with questions about operating or maintaining your pressure washer at 1-800-313-5111 between 7:30 a.m. - 4:30 p.m. Eastern Standard Time, or send emails to earthwise@reelin.com.



PARTS LIST

Part no.	Description
917017	Nozzle Cleaning Pin
907019	Hose Quick Connect
004071	Gun Handle
004072	Spray Lance
015018	Cap for Soap Dispenser
901008	High Pressure Hose Assembly
041002	Hang Hook
015008	Wheel
028002	Wheel Cover
024003	Mainframe Assembly

TROUBLESHOOTING

Problem	Possible Cause	Possible Solution
Motor will not start	<ul style="list-style-type: none"> - The switch is in the OFF position - Power cord not plugged in - Electrical outlet does not supply adequate power - The trigger of the water gun is not engaged 	<ul style="list-style-type: none"> - Turn switch ON - Plug in the power cord - Try another outlet - Engage the trigger of the water gun
Motor stops suddenly	<ul style="list-style-type: none"> - Thermal safety switch has tripped due to overheating 	<ul style="list-style-type: none"> - Check that the main voltage corresponds to specifications
Unit does not reach high pressure	<ul style="list-style-type: none"> - Water inlet filter is clogged - Not enough inlet water supply - Water supply is restricted - Pump is sucking air from connections or hoses - Valves are clogged or worn out 	<ul style="list-style-type: none"> - Clean the water inlet filter - Open water source full force - Check garden hose for kinks - Check that all supply connections are tight - Call our customer service help line at 1-800-313-5111 for assistance
Outlet pressure fluctuates	<ul style="list-style-type: none"> - Pump is sucking air - Water inlet filter is clogged - Not enough water inlet supply - Valves dirty, worn out, or stuck - Pump seals are worn out 	<ul style="list-style-type: none"> - Check that hoses and connections are air tight. Turn off the machine and purge pump by triggering the gun until you get a steady flow of water. - Clean the water inlet filter - Open water source full force. - Call our customer service help line at 1-800-313-5111 for assistance
Water leaking from pump	<ul style="list-style-type: none"> - Pump seals are worn out 	<ul style="list-style-type: none"> - Call our customer service help line at 1-800-313-5111 for assistance
Detergent is not dispensing	<ul style="list-style-type: none"> -The spray lance is in high pressure mode,detergent will be dispensed on low pressure only. -Nozzle is clogged with debris. 	<ul style="list-style-type: none"> -Pull out on spray lance for low pressure. -Disconnect the spray lance from the gun handle, clean with the nozzle cleaning pin and flush with water.
Low pressure	<ul style="list-style-type: none"> Faucet not fully open or unit is not receiving a full volume of water. 	<ul style="list-style-type: none"> -Open the faucet all the way. -Check garden hose for kinks. -Clean the inlet filter.
Unit will not stop when trigger is released.	<ul style="list-style-type: none"> Gun is malfunctioning. 	<ul style="list-style-type: none"> Call customer service help line at 1-800-313-5111 for assistance.

WARRANTY

LIMITED WARRANTY FOR PRESSURE WASHERS

This product is manufactured for The Great States Corporation/ American Lawn Mower Company. The Great States Corporation/ American Lawn Mower Company, Shelbyville, Indiana, has been making lawn mowers for over 100 years and it warrants to the original owner that each new product and service part is free from defects in material and workmanship and agrees to repair or replace under this warranty any defective product or part from the original date of purchase for one (1) year except for the conditions and circumstances listed below. Proof of purchase (original dated sales receipt) must accompany all warranty claims.

THIS WARRANTY IS NOT TRANSFERABLE AND DOES NOT COVER:

Products sold damaged or incomplete, sold "as is", sold reconditioned, or used as rental equipment.

Delivery, installation, or normal adjustments explained in the operator's manual.

Damage or liability caused by shipping, improper handling, improper installation, incorrect voltage or improper wiring, improper maintenance, improper modification, or the use of accessories and/or attachments not specifically recommended.

Repairs necessary because of operator abuse or negligence, or the failure to install, operate, maintain, or store the product according to the instructions in the operator's manual.

Damage caused by cold, heat, rain, excessive humidity, corrosive environments and materials, or other contaminants.

Expendable items that become worn during normal use.

Cosmetic defects that do not interfere with tool functionality.

Freight costs from customer to vendor.

Repair and transportation costs of products or parts determined not to be defective.

ANY INCIDENTAL, INDIRECT, OR CONSEQUENTIAL LOSS, DAMAGE, OR EXPENSE THAT MAY RESULT FROM ANY DEFECT, FAILURE, OR MALFUNCTION OF THE PRODUCT. Some states do not allow the exclusion or limitation on how long an implied warranty lasts, so the above limitations may not apply to you.

ANY NON-RESIDENTIAL USE OR COMMERCIAL USE VOIDS ALL WARRANTIES.



830 Webster Street
Shelbyville, IN 46176
Phone 1-800-313-5111
www.reelin.com/earthwise

In a continued commitment to improve quality, the Manufacturer reserves the right to make component changes or design changes when necessary.



MANUAL DEL OPERADOR

LAVADORA ELÉCTRICA A PRESIÓN

Este producto se encuentra cubierto por patentes de los Estados Unidos e internacionales

Copyright. Todos los derechos reservados.

Modelo PW01750



CARACTERÍSTICAS

- | | | |
|---|-------------------|---|
| Presión máx | 1750 PSI | - Función de paro automático |
| Presión nominal | 1350 PSI | - Clavija UL con GFCI |
| Límites de presión de entrada | 40 PSI a 70 PSI | - 1,8 GPM |
| Corriente de entrada | 110-120 V/60 Hz | - Cordón eléctrico de 10.7 m (35 pies) de largo |
| Requisitos eléctricos | 13 Amp | - Pistola rociadora plástica |
| Peso | 13,5 kg (30 lbs.) | - Botella de detergente incorporada |
| Largo de la manguera | 7,6 m (25 pies) | |

Las especificaciones de presión máxima han sido determinadas de acuerdo a la Norma PW101, de la PWMA.

La lavadora a presión ha sido diseñada y fabricada de conformidad con nuestras estrictas normas para brindar al operador fiabilidad, facilidad de uso y seguridad. Con el debido cuidado, le brindará muchos años de sólido funcionamiento y sin problemas.

ADVERTENCIA: Para reducir el riesgo de lesiones, el usuario debe leer y comprender el manual del operador antes de usar este producto.

Agradecemos que haya comprado este producto.

NO DEVUELVA ESTE PRODUCTO A LA TIENDA & TIENE PREGUNTAS SOBRE FUNCIONAMIENTO, MONTAJE, PIEZAS, O SERVICIO TÉCNICO? LLÁME AL 1-800-313-5111 ENTRE LAS 7:30AM Y LAS 4:30 PM, HORA ESTÁNDAR DEL ESTE DE LOS ESTADOS UNIDOS.

GUARDE ESTE MANUAL PARA CONSULTAS FUTURAS



ADVERTENCIAS IMPORTANTES PARA SU SEGURIDAD



PARA REDUCIR EL RIESGO DE LESIONES:

Antes de usar el aparato asegúrese que todas las personas que usan este producto lean y comprendan todas las instrucciones de seguridad y toda la información incluida en este manual.

Lea y guarde estas instrucciones y revíselas frecuentemente antes de usar el producto y para enseñarlas a los demás el uso correcto.



ADVERTENCIA: Parte del polvo y los desechos generados por el uso de esta herramienta contienen químicos reconocidos por el Estado de California como causantes de cáncer, defectos de nacimiento u otros efectos nocivos para el aparato reproductor. Algunos ejemplos de estos productos químicos son:

- * químicos presentes en fertilizantes
- * compuestos presentes en insecticidas, herbicidas y pesticidas
- * arsénico y cromo de maderas tratadas químicamente

El riesgo que usted corre al exponerse a estos químicos varía según la frecuencia con la que realiza este tipo de trabajo. Para reducir la exposición, trabaje en una zona bien ventilada y utilice equipo de protección aprobado, como mascarillas antipolvo especialmente diseñadas para filtrar partículas microscópicas.



PRECAUCIÓN: Cuando use el aparato, utilice la protección personal adecuada para los oídos. Bajo ciertas condiciones y tiempo de uso, el ruido puede contribuir a la pérdida de la audición.



ADVERTENCIA: Al usar aparatos eléctricos para el jardín, siempre debe seguir las precauciones básicas de seguridad para reducir el riesgo de un incendio, descarga eléctrica y/o lesiones personales.



ADVERTENCIA: Los cables eléctricos de este producto pueden contener químicos reconocidos por el Estado de California como causantes de cáncer, defectos de nacimiento o efectos nocivos para el aparato reproductor. Lávese las manos después de manipular el producto.

LEA TODAS LAS INSTRUCCIONES

SEGURIDAD GENERAL

EVITE LOS AMBIENTES PELIGROSOS: No use este producto bajo la lluvia, una tormenta y en lugares húmedos o mojados. No haga funcionar la lavadora a presión en lugares donde existan gases o sustancias explosivas en el aire. Por lo general, en este tipo de ambientes los motores sacan chispas que pueden encender los vapores de estas sustancias.

MANTENGA A LOS NIÑOS LEJOS DE ESTE APARATO: Todas las visitas, niños y mascotas deben permanecer lejos del área de trabajo.

USE ROPA ADECUADA: No utilice ropa holgada ni joyas, y utilice la protección adecuada para mantener el cabello largo cubierto, ya que pueden engancharse en las piezas móviles. Se recomienda el uso de guantes de goma y calzado firme al trabajar al aire libre.

UTILICE ANTEOJOS DE SEGURIDAD: Cuando utilice este producto, póngase anteojos de seguridad con protección lateral, o gafas protectoras, marcados con el sello de cumplimiento de la norma ANSI Z87.1. Use una careta o mascarilla si el ambiente genera mucho polvo.

Si utiliza un cordón de extensión, debe proveerse un INTERRUPTOR DE CIRCUITO ACCIONADO POR FALLA DE CONEXIÓN A TIERRA (GFCI) para los circuitos o tomacorrientes que se utilizan con este producto. El cordón del producto tiene un GFCI incorporado. Hay receptáculos con la protección de un GFCI incorporado, y pueden utilizarse para contar con esta característica de seguridad.

UTILICE EL APARATO APROPIADO: No debe usar este producto para ninguna función diferente de las especificadas.

CORDÓN DE EXTENSIÓN. Cerciórese que el cordón de extensión esté en buenas condiciones. Sólo debe utilizar cordones de extensión con un calibre que no sea menor al de la especificación eléctrica de este producto. Un cordón de extensión de un calibre insuficiente causa una caída en el voltaje de la línea, y produce recalentamiento y pérdida de potencia. Utilice sólo cordones de extensión de 3 conductores que tengan clavijas de conexión a tierra de 3 espigas y conectores de cordón con 3 polos, compatibles con la clavija de este producto.

Largo del cable	Calibre del alambre
Hasta 7,6 m (25 pies)	12 AWG

El cordón de extensión y el cordón de corriente pueden entrelazarse para formar un nudo y evitar que se desconecten durante el uso. Haga el nudo tal como se muestra, y conecte la clavija del cordón de corriente en el receptáculo del cordón de extensión. Este método también puede utilizarse para entrelazar dos cordones de extensión entre sí.



ADVERTENCIA: Use cordones de extensión para exteriores que lleven las marcas SW-A, SOW-A, STW-A, STOW-A, SJW-A, SJTW-A o SJTOWA. Estos cordones están aprobados para el uso en el exterior y reducen el riesgo de descargas eléctricas.

DESCONECTE EL APARATO del suministro de corriente cuando no lo use o cuando lo limpie o le dé mantenimiento. No lo deje desatendido.

Se requieren tomacorrientes con una tercera terminal de conexión a tierra. No use el aparato sin una espiga de conexión a tierra.

Para evitar el riesgo de descargas eléctricas, el chorro de agua nunca debe dirigirse hacia ningún tomacorriente ni cables, ni directamente hacia el equipo de lavado a presión.

Aprenda cómo parar el equipo y aliviar la presión rápidamente. Familiarícese completamente con los controles.

Nunca acorde ni haga nudos en la manguera de alta presión ya que puede dañarse.



PRECAUCIÓN: Use sólo agua limpia y detergente neutro. No debe utilizar productos ácidos o solventes ya que pueden provocar lesiones al operador y daños irreversibles al equipo.



CONEXIÓN A TIERRA: Este producto debe conectarse a tierra. Si deja de funcionar correctamente o se descompone, la conexión a tierra provee una ruta de menor resistencia para la corriente eléctrica para reducir el riesgo de descargas eléctricas. Este producto viene equipado con un cordón que tiene un conductor de conexión a tierra del equipo y una clavija de conexión a tierra. La clavija debe conectarse en un tomacorriente apropiado que haya sido instalado y conectado a tierra de manera adecuada y de acuerdo a todos los códigos y reglamentos locales.

Para permitir que el aire circule libremente, la lavadora a presión NO debe cubrirse mientras está funcionando.

NO MALTRATE EL CORDÓN: Nunca use el cordón para cargar la lavadora a presión ni para sacar la clavija del tomacorriente. Mantenga el cordón alejado del calor, del aceite y de bordes afilados.

EVITE ENCENDER LA LAVADORA A PRESIÓN INADVERTIDAMENTE: No debe transportarla cuando está conectada a la corriente ni colocando un dedo sobre el interruptor de encendido. Antes de conectarla cerciórese que el interruptor esté en posición de apagado.



PELIGRO: Mantenga las manos lejos de la boquilla o del chorro de agua. Al usar la lavadora a presión use siempre las dos manos para mantener la lanza bajo control.

Nunca dirija el chorro de agua en la dirección en la cual se encuentra usted u otras personas para limpiar la ropa, los zapatos o por algún otro motivo.

PERMANEZCA ALERTA: Preste atención a lo que está haciendo y use el sentido común. No utilice la lavadora a presión cuando esté cansado o bajo la influencia de drogas, alcohol o medicamentos.

GUARDE LA LAVADORA A PRESIÓN EN INTERIORES: Cuando no esté en uso, la lavadora a presión debe guardarse en el interior, en un lugar seco y alto o cerrado con llave, lejos del alcance de los niños.

MANTENGA EL APARATO EN BUENAS CONDICIONES: Manténgalo limpio para un rendimiento óptimo y para reducir el riesgo de lesiones. Inspeccione periódicamente el cordón y reemplácelo si está dañado. Mantenga los mangos secos, limpios y sin aceite ni grasa.

VERIFIQUE QUE NO TENGA PIEZAS DAÑADAS: Antes de continuar utilizando la lavadora a presión, debe examinarla cuidadosamente cualquier pieza dañada para determinar si puede funcionar correctamente y ejecutar el trabajo. Verifique la alineación y el trabado de las piezas móviles, las piezas rotas, el montaje y cualquier otra condición que pueda afectar el funcionamiento. Cualquier pieza dañada debe ser reparada o reemplazada. Comuníquese con nuestra línea de ayuda de atención al cliente al 1-800-313-5111 para recibir asistencia.

LUMINACIÓN: La lavadora a presión sólo debe funcionar a plena luz del día o con buena luz artificial.

NO SE ESTIRE DEMASIADO: Mantenga los pies bien firmes y el equilibrio en todo momento.



CLAVIJAS POLARIZADAS: Para reducir el riesgo de una descarga eléctrica, este producto dispone de una clavija polarizada (una patilla es más ancha que la otra). Sólo debe utilizarse con un cordón de extensión polarizado de 3 conductores adecuado. Las conexiones polarizadas entran sólo de una forma en el enchufe. Cerciórese que el receptáculo del cordón de extensión tenga una ranura ancha y una angosta. Si la clavija no entra completamente en el enchufe del cordón de extensión, invierta la posición de la misma. Si aún así no entra la clavija, obtenga un cordón de extensión adecuado. Si la clavija del cordón de extensión no entra completamente en el tomacorriente, contrate a un electricista calificado para encargarse de la instalación de un tomacorriente adecuado. No cambie de ninguna manera la clavija del equipo ni del cordón de extensión.

Para poder utilizar la lavadora a presión, ésta debe estar en posición vertical.

No toque la clavija ni el tomacorriente con las manos mojadas.

Desconecte la lavadora a presión del suministro de corriente antes de retirar la manguera de alta presión.

No haga funcionar ni guarde este producto a temperaturas por debajo del punto de congelación. La garantía no cubre los daños por congelamiento.

FUNCIONAMIENTO

Esta lavadora a presión viene equipada con un dispositivo de paro que detecta el momento en que se suelta el gatillo de la pistola, deteniendo entonces su funcionamiento.



ADVERTENCIA: Si la lavadora a presión no se para al soltar el gatillo de la pistola, NO LA USE. Comuníquese con nuestra línea de ayuda de atención al cliente al 1-800-313-5111 para recibir asistencia.

Esta lavadora a presión también viene equipada con un interruptor de protección térmica que para automáticamente el motor en caso de un recalentamiento. Si llegara a ocurrir, el interruptor se restablece por sí mismo y puede reanudar el funcionamiento normal después de que se enfría el motor.



ADVERTENCIA: Para reducir el riesgo de descargas eléctricas, mantenga todas las conexiones secas y lejos del suelo. No toque la clavija con las manos mojadas.



ADVERTENCIA: Pruebe el interruptor de circuito accionado por falla de conexión a tierra (GFCI) antes de cada uso. NO utilice la lavadora a presión si no pasa las pruebas siguientes.

Procedimientos de prueba GFCI:

- Conecte el GFCI en el tomacorriente. Debe encenderse la luz indicadora.
- Oprima el botón "Test" (prueba). Debe apagarse la luz.
- Oprima el botón "Reset" (restablecer) para usar la lavadora a presión. Debe encenderse la luz indicadora.

NO USE la lavadora a presión si no pasa la prueba anterior y comuníquese con nuestra línea de ayuda de atención al cliente al 1-800-313-5111 para recibir asistencia.

NOTA: El GFCI debe restablecerse cada vez que se conecta la lavadora a presión a un tomacorriente. Puede restablecerlo simplemente oprimiendo el botón "Reset" (restablecer) en la clavija del GFCI.

ACONDICIONAMIENTO PARA EL INVIERNO Y ALMACENAMIENTO PROLONGADO

- Haga funcionar la lavadora a baja presión hasta drenar todo el detergente del depósito.
- Vierta agua limpia en el depósito y haga funcionar la lavadora a baja presión como si tuviera detergente.
- Desconecte todas las mangueras de agua.
- Encienda la lavadora a presión durante unos cuantos segundos para extraer el agua restante de la bomba y apáguela de inmediato.
- No permita que la manguera de alta presión se acode.
- Guarde el equipo y los accesorios en un lugar en el cual no puedan congelarse.

No la guarde cerca de un calefactor ni otra fuente de calor ya que pueden secarse los sellos de la bomba.

Si se utiliza un cordón de extensión, la clavija y el receptáculo deben permanecer alejados del agua y la humedad.

El chorro angosto de precisión es muy poderoso. No se recomienda usar en superficies pintadas, de madera ni en objetos fijos con una capa posterior de adhesivo.

El ángulo óptimo del chorro de agua sobre la superficie a limpiar es de 45 grados.

Para disminuir al mínimo la cantidad de agua que penetra en la lavadora a presión durante el funcionamiento, ésta debe colocarse tan lejos como sea posible del lugar de limpieza.

GUÍA DE INICIO RÁPIDO

* Retire con cuidado la lavadora a presión y todos los accesorios de la caja.

* Controle que la unidad no esté dañada y verifique que no falte ninguna pieza.

Lista de piezas

lavadora a presión
manual del operario
varilla de limpieza de boquillas
conector rápido de la manguera
ganchos para colgar (2)
mango de la pistola
lanza de pulverizado
manguera de alta presión

NOTA: Se debe reparar o reemplazar cualquier pieza dañada en forma adecuada. Comuníquese con nuestra línea de ayuda de atención al cliente al 1-800-313-5111 para recibir asistencia.

* Instale un gancho para colgar a cada lado.

* Retire la cubierta protectora de la salida de agua de la máquina.

* Conecte el mango de la pistola a la manguera de alta presión.

* Conecte una manguera para jardín al grifo. (No se incluye la manguera para jardín). NOTA: No abrir el grifo antes de que el conector de la manguera esté conectado con la tuerca de entrada de agua (Paso 5).

Instrucciones de operación

1) Conecte la manguera de alta presión a la salida de agua en la parte delantera de la unidad.

2) Introduzca la lanza de pulverizado en el mango de la pistola. NOTA: Asegúrese de que esté trabada. ADVERTENCIA: Si el dispositivo no está bien trabado, podría salir expulsado al operar la pistola a presión alta.

3) Coloque el conector de la manguera en el extremo macho de la manguera para jardín.

4) Quite la tuerca de entrada de agua que se encuentra en la parte posterior de la lavadora. Verifique que el filtro de entrada de agua esté libre de suciedad y sedimentos. Limpie el filtro antes de usar la lavadora. Después de limpiar el filtro, vuelva a colocar la tuerca de entrada de agua y ajústela bien para evitar pérdidas.

5) Empuje firmemente el conector de la manguera en la tuerca de entrada de agua en la parte trasera de la máquina.

6) Encienda el suministro de agua.

7) Enchufe el interruptor de circuito por falla a tierra (ICFT) en el tomacorriente. Presione firmemente y suelte el botón de prueba, luego presione y suelte el botón de reinicio. Se iluminará la luz indicadora. No utilice el equipo si esta prueba falla.

8) Mantenga apretado el gatillo hasta que el flujo de agua sea constante, luego suelte el gatillo.

9) Encienda la lavadora a presión. Apriete el gatillo para encender el motor. El motor sólo se encenderá si se presiona el gatillo de la pistola, y se apagará al soltar el gatillo. (Si decide detener el funcionamiento durante más de tres (3) minutos, suelte el gatillo y apague la unidad).

10) Regule la presión con la lanza de pulverizado: tire hacia afuera el extremo de la lanza para pulverizar con presión baja y presión alta, y se apagará al soltar el gatillo. (Si decide detener el funcionamiento durante más de tres (3) minutos, suelte el gatillo y apague la unidad).

Después de terminar el trabajo, desconecte la unidad apagando primero el suministro de agua y apretando el gatillo de la pistola para liberar la presión de agua. Ahora puede desconectar la manguera para jardín de la tuerca de entrada de agua de la unidad.



ADVERTENCIA: Asegúrese de apuntar la pistola en una dirección segura al encender la lavadora a presión. Al encender la lavadora a presión, no apuntar al rostro, a los pies, a otras personas o a animales, ya que esto podría provocar lesiones graves.



ADVERTENCIA: Lea atentamente el manual del operario antes de utilizar la lavadora a presión. Almacene siempre en un lugar donde la temperatura no sea inferior al punto de congelación. La garantía no cubre daños por congelación.



ADVERTENCIA: Una vez que termine de utilizar la lavadora a presión, apague la unidad y desenchufe el cable del tomacorriente.



ADVERTENCIA: Riesgo de descarga. No toque el enchufe o el tomacorriente con las manos mojadas.

Instrucciones importantes de operación y preparación

Instrucciones de operación

Preparación básica de la unidad

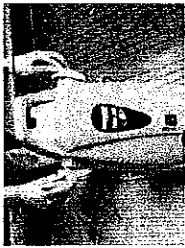
Asegúrese de que estén incluidas todas las piezas:
En la **GUIA DE INICIO RÁPIDO** consulte el listado de las piezas.

1. Instale los ganchos para colgar

Coloque los ganchos a ambos lados de la unidad.

**Uno de los ganchos sostiene el cable eléctrico cuando no está en uso.

**Otro de los ganchos sostiene la manguera de presión cuando no está en uso.



2. Retire la tapa

Retire la tapa de plástico de la parte delantera de la unidad.



3. Conecte la pistola pulverizadora a la manguera de presión

Conecte el mango de la pistola a la manguera de alta presión. Ajustelo bien utilizando la llave inglesa.



4. Almacene la pistola y la lanza pulverizadora

Coloque la pistola y la lanza pulverizadora en los soportes que se encuentran en la parte trasera de la unidad.



1. Conecte la manguera de alta presión

Conecte la manguera de alta presión a la salida de agua en la parte delantera de la unidad.

Nota: Puede quedar una pequeña cantidad de agua y aceite ligero en la salida de agua de la máquina. Esto es normal.



2. Conecte la lanza pulverizadora a la pistola

Coloque la lanza pulverizadora en el mango de la pistola. Rote la lanza ¼ de giro para asegurarse de que quede bien trabada en el lugar.



3. Acople el conector rápido a la manguera

Coloque el conector rápido de la manguera en el extremo macho de la manguera para jardín.



4. Limpieza del filtro

El filtro que se encuentra detrás de la boca de entrada de agua se debe retirar y limpiar antes de cada uso.



5. Conecte la manguera a la unidad

Coloque firmemente el conector rápido de la manguera en la boca de entrada de agua (ubicada en la parte trasera de la unidad) hasta que escuche un **DOBLE** clic y la conexión esté firme. (Deslice hacia atrás el collar del conector rápido para facilitar la conexión.)



6. Encienda el suministro de agua

Conecte la manguera para jardín al grifo.
PRECAUCIÓN: No abra el grifo antes de que el conector rápido de la manguera esté acoplado a la unidad.



7. Enchufe la unidad al suministro eléctrico

Enchufe el interruptor de circuito por falla a tierra (ICFT) en el tomacorriente. Presione firmemente y suelte el botón de prueba, luego presione y suelte el botón de reinicio. Se iluminará la luz indicadora. No utilice el equipo si esta prueba falla.



8. Suelte el aire atrapado

Mantenga apretado el gatillo hasta que el flujo de agua sea constante. Al salir el aire, se garantiza una mejor presión de operación.



9. Encienda la lavadora a presión

Encienda la lavadora a presión. Apriete el gatillo para encender el motor. El motor sólo se encenderá si se presiona el gatillo de la pistola, y se apagará al soltar el gatillo.



10. Uso de detergente en la boquilla de rociado

Tire firmemente de la boquilla de la lanza pulverizadora para pulverizar con presión baja. ***El detergente sale únicamente si se pulveriza con presión baja. Presione hacia adentro para volver la boquilla a su lugar y pulverizar con presión alta. ***Gire la boquilla de rociado para controlar el patrón de pulverización.



¿Preguntas? ¿Problemas? NO DEVUELVA ESTE PRODUCTO A LA TIENDA

Si necesita asistencia, comuníquese con nuestro Departamento de Atención al Cliente al 1-800-313-5111, entre las 7:30 y las 16:30, hora del este de los Estados Unidos.

CONSEJOS DE LIMPIEZA

Qué detergente usar.

-Recomendamos utilizar un limpiador específicamente diseñado para lavadoras a presión.

-Nunca use cloro, amoníaco ni agua caliente en la unidad.

Consejos y recomendaciones generales de limpieza

- Enjuague previamente con agua dulce las superficies que se deben limpiar.
- Siempre use presión baja para aplicar el detergente.
- Nunca deje secar el detergente sobre la superficie. Si el detergente comienza a secarse antes del enjuague, simplemente humedezca el área con agua dulce.
- Antes de limpiar cualquier superficie, elija un sector poco visible para comprobar el patrón y la distancia de rociado y obtener el máximo resultado en la limpieza.
- Si la pintura de la superficie se está descascarando o pelando, sea sumamente cuidadoso ya que la lavadora a presión puede desprender la pintura floja.
- Al limpiar superficies que puedan estar en contacto con alimentos, enjuáguelas con abundante agua potable.

Limpieza de plataformas

Para obtener mejores resultados, limite el área de trabajo a sectores más reducidos de aproximadamente 1,8 a 2,3 metros cuadrados (20 a 25 pies cuadrados). Para enjuagar, aplique presión alta con un movimiento largo de barrido y mantenga la boquilla de rociado a una distancia aproximada de 5 a 15 cm (2 a 6 pulgadas) de la superficie de limpieza. Siempre limpie de arriba hacia abajo y de izquierda a derecha. Al pasar a otro sector de la superficie, cerciórese de superponerlo con el sector anterior para evitar las marcas entre los sectores de limpieza y garantizar un resultado aún más uniforme.

Revestimientos exteriores de casas

Para obtener mejores resultados, limite el área de trabajo a sectores de aproximadamente 1,5 a 1,8 m (5 a 6 pies) de ancho y siempre aplique el detergente de abajo hacia arriba. Para enjuagar, aplique presión alta de arriba hacia abajo con un movimiento de barrido uniforme y mantenga la boquilla de rociado a una distancia aproximada de 15 cm (6 pulgadas) de la superficie de limpieza.

Patios de cemento, ladrillo y piedra

Para obtener mejores resultados, limite el área de trabajo a sectores más reducidos de aproximadamente 1,8 a 2,3 metros cuadrados (20 a 25 pies cuadrados). Si usa detergente, déjelo actuar sobre la superficie de 1 a 3 minutos. Para enjuagar, aplique presión alta con un movimiento de barrido y mantenga la boquilla de rociado a una distancia aproximada de 5 a 15 cm (2 a 6 pulgadas) de la superficie de limpieza. Siempre limpie de arriba hacia abajo y de izquierda a derecha.

Automóviles, motocicletas y embarcaciones

Para obtener mejores resultados, limpie un lado del vehículo por vez y siempre aplique el detergente de abajo hacia arriba. No deje secar el detergente sobre la superficie. Si es necesario, use un accesorio especial que es un cepillo de lavar para eliminar la suciedad rebelde. Para enjuagar, aplique presión alta con un movimiento de barrido y mantenga la boquilla de rociado a una distancia aproximada de 15 a 20 cm (6 a 8 pulgadas) de la superficie de limpieza. Aumente la distancia al enjuagar superficies delicadas o *pinstriping* (detalles de pintura personalizados). Siempre limpie de arriba hacia abajo y de izquierda a derecha. Para obtener mejores resultados, seque la superficie con una gamuza o un paño suave y seco.

Parrillas, herramientas de jardín y equipos eléctricos para exteriores

Deje actuar el detergente sobre la superficie de 1 a 3 minutos. Para enjuagar, aplique presión alta y mantenga la boquilla de rociado a una distancia aproximada de 5 a 15 cm (2 a 6 pulgadas) de la superficie de limpieza. Si la suciedad es muy persistente, quizás sea necesario acercar más la boquilla de rociado a la superficie para lograr un mayor poder de remoción de la suciedad.

Muebles de jardín

Si es necesario, use el Cepillo de lavar, que es un accesorio especial para eliminar la suciedad persistente. Para enjuagar, aplique presión alta con un movimiento de barrido y mantenga la boquilla de rociado a una distancia aproximada de 8 a 15 cm (3 a 6 pulgadas) de la superficie de limpieza. Para obtener mejores resultados, limpie de arriba hacia abajo y de izquierda a derecha.

Vaciado del dosificador de jabón.

Para vaciar el dosificador de jabón, deje correr agua por el dosificador utilizando la pistola.

MANTENIMIENTO

Si deja caer la lavadora a presión, inspecciónela con cuidado en busca de daños. Si observa alguna condición que considere puede afectar el funcionamiento de la lavadora a presión, comuníquese con nuestra línea de ayuda de atención al cliente al 1-800-313-5111 para recibir asistencia.



PRECAUCIÓN: En ningún momento permita que el líquido para frenos, la gasolina, los productos derivados de petróleo, los aceites penetrantes, etc., entren en contacto con las piezas plásticas. Estas sustancias contienen componentes químicos que pueden dañar, debilitar o destruir el plástico.

Los fertilizantes y otro tipo de productos químicos de jardinería contienen compuestos que aceleran enormemente la corrosión en las superficies metálicas. No guarde este equipo cerca o junto de fertilizantes o productos químicos.

Si se tapa una boquilla, la presión de la bomba aumentará y se distorsionará el patrón de pulverización. Si esto sucede, limpie la boquilla inmediatamente.

Separe la lanza de pulverizado del mango de la pistola. Limpie la boquilla con la varilla de limpieza de boquillas. Enjuague la boquilla con agua.

Vuelva a conectar la lanza de pulverizado al mango de la pistola y ponga en marcha nuevamente la lavadora a presión. Si la boquilla continúa tapada, repita los pasos anteriores.



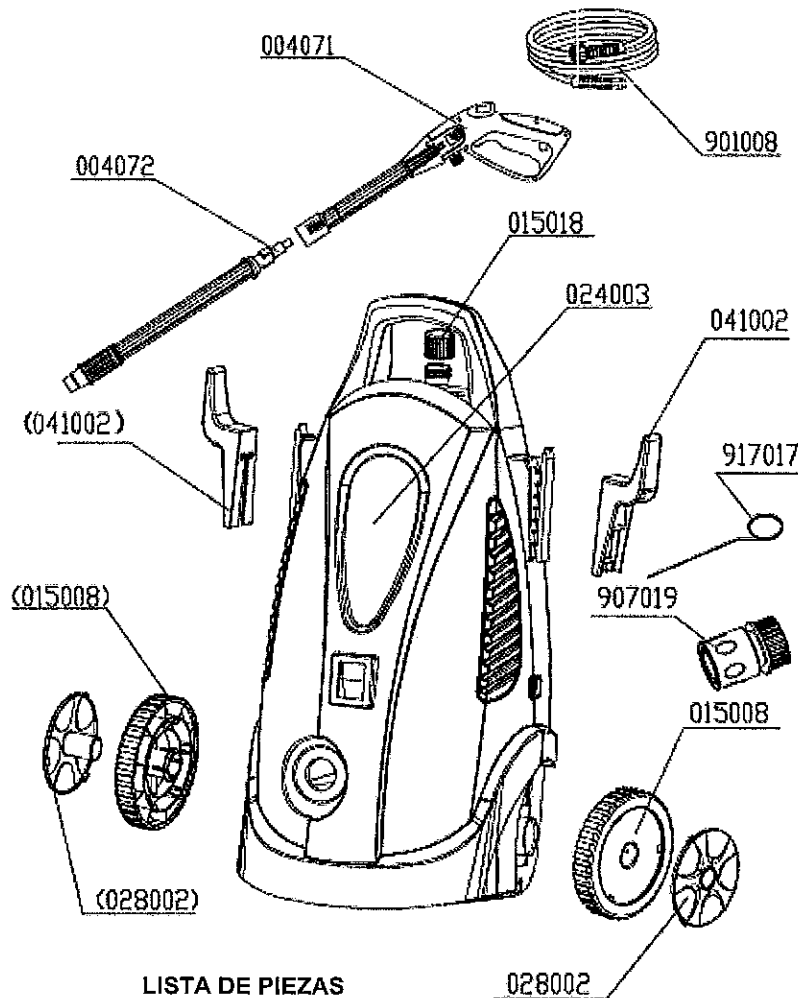
PRECAUCIÓN: Utilice la varilla de limpieza de boquillas únicamente si la lanza de pulverizado está desconectada del mango de la pistola. De lo contrario, podría sufrir lesiones graves.



IMPORTANTE: Para garantizar la **SEGURIDAD** y **CONFIABILIDAD** del producto, todas las reparaciones, servicios de mantenimiento y ajustes deben ser realizados por un persona calificada.

LLÁMENOS PRIMERO

Si tiene preguntas sobre el funcionamiento o el mantenimiento de la lavadora a presión, llame al 1-800-313-5111, de las 7:30 a.m. a las 4:30 p.m., hora estándar del Este, o envíe un correo electrónico a: earthwise@reein.com.



LISTA DE PIEZAS

Núm. Pieza	Descripción
917017	Pasador de limpieza de boquillas
907019	Conexión rápida de la manguera
004071	Mango de la pistola
004072	Lanza de rociado
015018	Tapa del dosificador de jabón
901008	Conj. de la manguera de alta presión
041002	Gancho
015008	Rueda
028002	Cubierta de la rueda
024003	Conj. del armazón

CORRECCIÓN DE PROBLEMAS

Problema	Causa probable	Solución
El motor no enciende	<ul style="list-style-type: none"> - El interruptor está en la posición de apagado - El cordón eléctrico no está conectado - El tomacorriente no suministra la energía adecuada - El gatillo de la pistola de agua no está activado 	<ul style="list-style-type: none"> - Coloque el interruptor en la posición de encendido - Conecte el cordón eléctrico - Conecte el aparato en un tomacorriente diferente - Actíve el gatillo de la pistola de agua
El motor se apaga repentinamente	<ul style="list-style-type: none"> - El interruptor de protección térmica se ha disparado debido a recalentamiento 	<ul style="list-style-type: none"> - Verifique que el voltaje de la corriente principal corresponda a las especificaciones
El aparato no genera alta presión	<ul style="list-style-type: none"> - El filtro de entrada de agua está tapado - No hay suficiente suministro de agua - El suministro de agua es limitado - La bomba aspira aire de las conexiones o las mangueras - Las válvulas están tapadas o desgastadas 	<ul style="list-style-type: none"> - Limpie el filtro de entrada de agua - Abra completamente la llave de agua - Cérchese que la manguera del jardín no esté acodada - Verifique que todas las conexiones del suministro sean herméticas - Comuníquese con nuestra línea de ayuda de atención al cliente al 1-800-313-5111 para recibir asistencia.
La presión de salida varía	<ul style="list-style-type: none"> - La bomba aspira aire - El filtro de entrada de agua está tapado - No hay suficiente suministro de agua - Las válvulas están sucias, desgastadas o trabadas - Los sellos de la bomba están desgastados 	<ul style="list-style-type: none"> - Verifique que las mangueras y las conexiones sean herméticas al aire. Apague el aparato y purgue la bomba activando la pistola hasta que el chorro de agua salga de manera continua. - Limpie el filtro de entrada de agua - Abra completamente la llave de agua. - Comuníquese con nuestra línea de ayuda de atención al cliente al 1-800-313-5111 para recibir asistencia.
La bomba tiene fugas de agua	<ul style="list-style-type: none"> - Los sellos de la bomba están desgastados 	<ul style="list-style-type: none"> - Comuníquese con nuestra línea de ayuda de atención al cliente al 1-800-313-5111 para recibir asistencia.
No sale detergente.	<ul style="list-style-type: none"> -La lanza de pulverizado está en modo de presión alta, el detergente sale únicamente en modo de presión baja. -La boquilla está tapada con suciedad. 	<ul style="list-style-type: none"> -Tire hacia afuera el extremo de la lanza de pulverizado para pulverizar con presión baja. -Desconecte la lanza de pulverizado del mango de la pistola, limpie con la varilla de limpieza de boquillas y enjuague con agua.
Presión baja	<ul style="list-style-type: none"> El grifo no está abierto completamente o la unidad no está recibiendo un volumen de agua suficiente. 	<ul style="list-style-type: none"> -Abra completamente el grifo. -Verifique que la manguera para jardín no esté doblada. -Limpie el filtro de entrada de agua.
La unidad no se detiene al soltar el gatillo.	<ul style="list-style-type: none"> La pistola no está funcionando correctamente. 	<ul style="list-style-type: none"> Comuníquese con nuestra línea de ayuda de atención al cliente al 1-800-313-5111 para recibir asistencia.

GARANTÍA

GARANTÍA LIMITADA PARA LAS LAVADORAS A PRESIÓN

Este producto se fabrica para la compañía The Great States Corporation/American Lawn Mower Company. The Great States Corporation/ American Lawn Mower Company, Shelbyville, Indiana, ha fabricado podadoras de pasto durante más de 100 años y garantiza al propietario original que todos los productos nuevos y piezas de repuesto carecen de defectos en el material y en la mano de obra y acuerda reparar o reemplazar, en virtud de esta garantía, todo producto o pieza defectuoso por un (1) año a partir de la fecha de compra original, con excepción de las condiciones y circunstancias mencionadas a continuación. Todos los reclamos de garantía deben incluir el comprobante de compra (recibo original fechado).

ESTA GARANTÍA NO ES TRANSFERIBLE Y NO CUBRE:

Productos que se hayan vendido dañados o incompletos, en las condiciones en que se encontraban, reacondicionados o utilizados como equipos de alquiler.

Entrega, instalación o ajustes normales explicados en el manual del operador.

Daños o responsabilidades causados por transporte, manejo inadecuado, instalación inadecuada, voltaje incorrecto o cableado inadecuado, mantenimiento inadecuado, modificación inadecuada o el uso de accesorios y/o aditamentos no recomendados específicamente.

Reparaciones necesarias debido al maltrato o negligencia del operador, o a no instalar, utilizar, mantener y guardar el producto según las instrucciones del manual del operador.

Daños causados por frío, calor, lluvia, humedad excesiva, entornos y materiales corrosivos, u otros contaminantes.

Artículos prescindibles que se gastan durante el uso normal.

Defectos estéticos que no interfieren con la funcionalidad de la herramienta.

Costos de flete del cliente al proveedor.

Costos de reparación y traslado de productos o piezas que no se consideren defectuosos.

CUALQUIER PÉRDIDA, DAÑO O GASTO INCIDENTAL, INDIRECTO O CONSECUENTE QUE PUEDA PRODUCIRSE POR CUALQUIER DEFECTO, FALLA O MAL FUNCIONAMIENTO DEL PRODUCTO. Algunos estados no permiten exclusiones ni limitaciones en cuanto a la duración de una garantía implícita, por lo que es posible que las limitaciones antes mencionadas no se apliquen en su caso.

CUALQUIER USO NO RESIDENCIAL O USO COMERCIAL ANULA TODAS LAS GARANTÍAS.



830 Webster Street
Shelbyville, IN 46176
Teléfono 1-800-313-5111
www.reelin.com/earthwise

Debido a nuestro compromiso continuo por mejorar la calidad, el fabricante se reserva el derecho a hacer modificaciones al diseño o los componentes cuando sea necesario

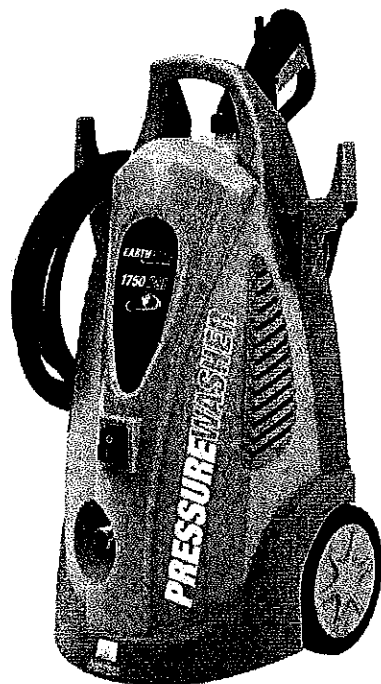


MANUEL D'UTILISATION LAVEUSE À PRESSION ÉLECTRIQUE

Cet appareil est protégé par des brevets américains et autres brevets internationaux.

Copyright. Tous droits réservés.

Modèle PW01750



CARACTÉRISTIQUES

Pression maximale : 1 750 LPC - Fonction d'arrêt automatique
Pression nominale : 1 350 LPC - Prise homologuée UL avec disjoncteur de fuite à la terre (GFCI)
Fourchette de pression de l'arrivée d'eau : 40 LPC - 70 LPC - 1,6 gal/min
Alimentation : 110/120 V, 60 Hz - Longueur du cordon électrique : 10,7 m (35 pi)
Exigences électriques 13 A - Pistolet de pulvérisation en plastique
Poids : 13,5 kg (30 lb) - Compartiment à nettoyant intégré
Longueur du tuyau : 7,6 m (25 pi)

Évaluation de la pression maximale déterminée conformément à la PWMA
(Pressure Washer Manufacturers Association.- Association des fabricants de laveuses à pression) Norme PW101

Cette laveuse à pression a été conçue et fabriquée conformément à nos strictes normes de fiabilité, simplicité d'emploi et sécurité d'utilisation. Correctement entretenue, elle vous donnera des années de fonctionnement robuste et sans problèmes.

AVERTISSEMENT : pour réduire les risques de blessures, l'utilisateur doit lire et veiller à bien comprendre le manuel d'utilisation avant d'utiliser cet appareil.

Merci de votre achat.

NE RENVOYEZ PAS CE PRODUIT AU MAGASIN. AVEZ-VOUS DES QUESTIONS CONCERNANT LE FONCTIONNEMENT, L'ASSEMBLAGE, LES PIÈCES OU LA RÉPARATION DU PRODUIT ? COMPOSEZ LE 1-800-313-5111 DE 7 h 30 À 16 h 30 HNE POUR TOUTE ASSISTANCE.

CONSERVER CE MANUEL D'UTILISATION À TITRE DE RÉFÉRENCE



AVERTISSEMENTS DE SÉCURITÉ IMPORTANTS



POUR RÉDUIRE LES RISQUES DE BLESSURE :

avant toute utilisation de l'appareil, il importe de lire et de comprendre toutes les consignes de sécurité, de même que toutes les autres informations de ce manuel.

Lire et conservez ces instructions et consultez-les fréquemment avant toute utilisation et afin de pouvoir instruire les autres utilisateurs éventuels.



MISE EN GARDE : portez un serre-tête antibruit approprié lors de l'utilisation. Dans certaines conditions et selon la durée d'utilisation, le bruit de cet outil peut induire une certaine perte auditive.



AVERTISSEMENT : lorsque vous utilisez des outils électriques de jardinage, il est impératif de respecter les mesures de sécurité élémentaires afin de réduire le risque d'incendie, de décharge électrique et de blessures.



AVERTISSEMENT : l'État de Californie considère que des poussières et débris créés par l'utilisation de cet outil sont susceptibles de contenir un ou plusieurs des produits chimiques qui sont cancérigènes et à l'origine de malformations congénitales ou d'autres troubles de l'appareil reproducteur. Parmi ces produits chimiques, citons :

- les produits chimiques contenus dans les engrais
- les composés contenus dans les insecticides, les herbicides et les pesticides

l'arsenic et le chrome du bois traité chimiquement. Votre risque d'exposition à ces produits chimiques varie en fonction du nombre de fois que vous effectuez ce type de travail. Afin de réduire l'exposition à ces produits chimiques, travaillez dans un endroit bien aéré et portez un équipement de sécurité homologué, comme un masque anti-poussière spécialement conçu pour filtrer les particules microscopiques.



AVERTISSEMENT : l'État de Californie considère que les cordons électriques de ce produit peuvent contenir des produits chimiques connus comme cancérigènes et à l'origine de malformations congénitales et d'autres troubles de l'appareil reproducteur. Lavez-vous les mains après avoir manipulé l'appareil.

LISEZ TOUTES LES INSTRUCTIONS

CONSIGNES GÉNÉRALES DE SÉCURITÉ

ÉVITEZ LES ENVIRONNEMENTS DANGEREUX - N'utilisez pas l'appareil sous la pluie ou lors d'orages, ni dans des endroits mouillés ou humides. N'utilisez pas l'appareil dans des environnements gazeux ou explosifs. Les moteurs de ce type d'appareil créent en général des étincelles qui risquent d'enflammer les vapeurs.

TENEZ LES ENFANTS À L'ÉCART - Tous les visiteurs, enfants et animaux doivent être tenus à une distance sécuritaire de la zone de travail.

PORTEZ UNE TENUE APPROPRIÉE - Ne portez pas de vêtements amples ni de bijoux, et portez un couvre-chef protecteur sur des cheveux longs. Ces derniers risquent de se prendre dans les pièces mobiles. Le port de gants de caoutchouc et de chaussures robustes est recommandé lors de travaux à l'extérieur.

PORTEZ DES LUNETTES DE SÉCURITÉ - Portez des lunettes de sécurité munies d'écrans latéraux ou un masque facial intégral, certifié conforme à la norme ANSI Z87.1 lors de l'utilisation de cet appareil. Utilisez un masque facial ou un masque à poussière si les environnement génèrent de la poussière.

UN DISJONCTEUR DE FUITE À LA TERRE doit être installé sur le circuit ou la prise électrique à utiliser avec cet appareil si vous utilisez un cordon prolongateur. Le cordon électrique de cet appareil est muni d'un disjoncteur de fuite à la terre. Des prises à disjoncteur de fuite à la terre sont en vente dans le commerce et doivent être utilisées.

UTILISEZ LE BON APPAREIL - N'utilisez cet appareil que pour la tâche pour laquelle il a été conçu.

CORDON PROLONGATEUR. Assurez-vous que votre cordon prolongateur est en bon état. N'utilisez que des cordons prolongateurs dont la puissance nominale est égale ou supérieure à celle de cet appareil. Un cordon prolongateur d'un calibre trop petit causerait une baisse de la tension sectorielle entraînant une perte de puissance et une surchauffe. N'utilisez que des cordons prolongateurs à 3 fils dotés d'une fiche de mise à la terre branchés sur une prise triphasée compatible avec la fiche de l'appareil.

Longueur du cordon **Calibre du fil**
Jusqu'à 7,6 m (25 pi) 12 AWG (calibre américain des fils)

Pour réduire les risques de débranchement du cordon d'alimentation et du cordon prolongateur en cours de fonctionnement, vous pouvez les nouer. Faites un nœud comme illustré, puis branchez la prise du cordon électrique de l'appareil dans la fiche du cordon prolongateur. Cette méthode peut aussi être utilisée pour nouer deux cordons prolongateurs.



AVERTISSEMENT : utilisez des cordons prolongateurs marqués SW-A, SOW-A, STW-A, STOW-A, SJW-A, SJTW-A ou SJTOWA. Ces cordons sont conçus pour l'usage en extérieur et réduisent les risques de décharge électrique.

DÉBRANCHEZ L'APPAREIL de la prise électrique lorsqu'il n'est pas utilisé ou lors de la maintenance ou de son nettoyage. Ne laissez pas l'appareil sans surveillance.

Les prises avec mise à la terre sont obligatoires (3 fiches). N'utilisez pas l'appareil sans prise avec mise à la terre.

Pour éviter tout risque de décharge électrique, le pistolet de pulvérisation ne doit jamais être dirigé vers des prises ou des fils électriques, ni vers l'appareil lui-même.

Sachez comment arrêter l'appareil et relâcher la pression rapidement. Familiarisez-vous avec les commandes.

Ne nouez ni ne vrillez jamais le tuyau à haute pression, cela pourrait l'endommager.



MISE EN GARDE : n'utilisez que de l'eau propre et du nettoyant neutre. N'utilisez ni acides ni solvants, cela risque de blesser l'utilisateur et de causer des dommages irréversibles à l'appareil.



MISE À LA TERRE : cet appareil doit être mis à la terre. En cas de mauvais fonctionnement ou de panne, la mise à la terre offre un conduit de moindre résistance au courant, ce qui réduit les risques de décharge électrique. L'appareil est muni d'un cordon électrique muni d'un conducteur de mise à la terre et d'une prise de mise à la terre. La prise doit être branchée sur une prise de courant appropriée, installée correctement et mise à la terre en vertu des règlements et législations locales.

Afin de permettre à l'air de circuler librement, la laveuse à pression NE doit PAS être couverte lors de son utilisation.

NE MALTRAITEZ PAS LE CORDON D'ALIMENTATION - N'utilisez jamais le cordon d'alimentation pour transporter l'appareil et ne débranchez jamais ce dernier en tirant sur le cordon. Gardez le cordon à l'écart de toute source de chaleur, de l'huile et d'objets tranchants.

ÉVITEZ LE RISQUE DE DÉMARRAGE ACCIDENTEL - Ne transportez pas l'appareil branché avec votre doigt sur le commutateur. Assurez-vous que le commutateur est en position d'arrêt avant de brancher l'appareil.



DANGER : Gardez vos mains à l'écart de la canule et du jet de pulvérisation. Utilisez toujours vos deux mains lorsque vous utilisez l'appareil afin de bien garder le contrôle du pistolet de pulvérisation.

Ne dirigez jamais le jet de pulvérisation dans votre direction pour nettoyer des vêtements, des chaussures ou pour toute autre raison.

SOYEZ VIGILANT - Soyez attentif à ce que vous faites. Faites preuve de bon sens. N'utilisez pas cet appareil en état de fatigue ou sous l'influence de l'alcool, de drogues ou de médicaments.

RANGÉZ L'APPAREIL ÉTEINT À L'INTÉRIEUR - Lorsque l'appareil n'est pas utilisé, il doit être conservé à l'intérieur, dans un endroit sec et en hauteur ou sous clé, hors de portée des enfants.

PRENEZ SOIN DE VOTRE APPAREIL - Gardez l'appareil propre, pour garantir son fonctionnement optimal et réduire les risques d'accident. Inspectez périodiquement les cordons prolongateurs et remplacez-les s'ils sont endommagés. Les poignées doivent être sèches, propres et ne contenir ni huile ni graisse.

INSPECTEZ L'APPAREIL POUR DÉTECTER TOUTE PIÈCE ENDOMMAGÉE - Avant d'utiliser l'appareil, examinez toute pièce qui semble endommagée afin de déterminer si elle peut toutefois fonctionner conformément aux fins prévues. Vérifiez l'alignement et la fixation des pièces mobiles, assurez-vous qu'aucune pièce n'est cassée, vérifiez l'assemblage de l'appareil et qu'aucun autre problème ne risque de perturber son bon fonctionnement. Toute pièce endommagée doit être correctement réparée ou remplacée. Appelez notre service clientèle au 1-800-313-5111 pour assistance.

ÉCLAIRAGE - N'utilisez cet appareil que de jour ou dans un endroit bien éclairé.

NE VOUS ÉTIREZ PAS TROP - Maintenez constamment une bonne position et votre équilibre.



FICHES POLARISÉES - Afin de réduire les risques de décharge électrique, cet appareil est muni d'une fiche polarisée (une lige est plus large que l'autre). Cet appareil doit être utilisé avec un cordon prolongateur muni d'une prise de mise à la terre polarisée (3 fils). Les connexions polarisées ne peuvent se brancher que d'une seule façon. Assurez-vous que la prise du cordon prolongateur est dotée de deux fentes, l'une étant plus longue que l'autre. Si la fiche ne peut pas être insérée dans la prise du cordon, inversez-la. Si elle ne s'enfonce toujours pas correctement, procurez-vous un cordon prolongateur approprié. Si le cordon prolongateur ne peut toujours pas être inséré correctement, faites installer une prise adéquate par un électricien qualifié. Ne modifiez ni la prise de l'appareil ni le cordon électrique de quelque façon que ce soit.

La laveuse à pression doit être à la verticale lors de son utilisation.

Ne touchez ni la fiche ni la prise avec les mains mouillées.

Débranchez l'appareil de la prise électrique avant de déconnecter le tuyau à haute pression.

N'utilisez pas et ne rangez pas cet appareil à des températures inférieures à 0 °C (32 °F). Les dommages causés par le gel ne sont pas couverts par la garantie.

UTILISATION

La laveuse à pression est dotée d'un système automatique d'arrêt capable de détecter tout relâchement de la gâchette du pistolet de pulvérisation, entraînant ainsi l'arrêt de l'appareil.



AVERTISSEMENT : si la laveuse à pression ne s'arrête pas lorsque la gâchette est relâchée, N'UTILISEZ PAS L'APPAREIL. Appelez notre service clientèle au 1-800-313-5111 pour assistance.

La laveuse à pression est aussi dotée d'un commutateur thermosensible qui provoque automatiquement l'arrêt du moteur de l'appareil en cas de surchauffe. Dans ce cas, le commutateur se réinitialise automatiquement; vous pouvez reprendre vos activités normales une fois le moteur refroidi.



AVERTISSEMENT : pour réduire les risques d'électrocution, conservez toutes les connexions sèches et au-dessus du sol. Ne touchez ni la fiche ni la prise avec des mains mouillées.



AVERTISSEMENT : testez le disjoncteur de fuite à la terre. N'utilisez PAS la laveuse à pression si le test suivant échoue.

Pour tester le disjoncteur de fuite à la terre :

- Branchez le disjoncteur de fuite à la terre dans la prise de courant. Le témoin indicateur doit s'allumer.
- Appuyez sur le bouton d'essai. Le témoin doit s'éteindre.
- Appuyez sur le bouton de réinitialisation pour pouvoir l'utiliser. Le témoin indicateur doit s'allumer.

N'UTILISEZ PAS l'appareil si le test indiqué ci-dessus échoue et Appelez notre service clientèle au 1-800-313-5111 pour assistance.

REMARQUE : le disjoncteur de fuite à la terre doit être réinitialisé chaque fois que l'appareil est branché à une prise électrique. Pour cela, appuyez tout simplement sur le bouton « Reset » de la prise à disjoncteur de fuite à la terre.

PRÉPARATION POUR LE RANGEMENT DE LONG TERME ET POUR L'HIVER

- Faites fonctionner la laveuse à pression en mode de pression faible jusqu'à ce que tout le nettoyant ait été vidé du réservoir.
- Remplissez le réservoir à nettoyant avec de l'eau propre et faites fonctionner l'appareil en mode de pression faible comme si c'était du nettoyant.
- Déconnectez toutes les connexions d'eau.
- Faites fonctionner l'appareil pendant quelques secondes afin de vider toute eau restant dans la pompe et l'arrêter immédiatement.
- Assurez-vous de ne pas vriller le tuyau de haute pression.
- Rangez l'appareil et ses accessoires dans un endroit où il ne gèle pas.

Ne rangez pas l'appareil près d'un chauffe-eau ou de toute autre source de chaleur, cela risque d'assécher les joints d'étanchéité de la pompe.

Si un cordon prolongateur est utilisé, la fiche et la prise doivent rester à l'abri de toute source d'eau ou d'humidité.

L'embout à jet d'extrême précision est très puissant. Il n'est pas conseillé de l'utiliser sur des surfaces peintes, sur du bois ou des articles attachés avec une pellicule adhésive.

Le meilleur angle pour pulvériser de l'eau contre une surface est à 45°.

Pour minimiser la quantité d'eau entrant en contact avec la laveuse à pression, l'appareil doit être placé aussi loin que possible de la surface à nettoyer pendant son utilisation.

GUIDE DE DÉMARRAGE RAPIDE

* Enlevez avec précaution le nettoyeur haute pression et tous les accessoires du carton.

* Vérifiez qu'aucune pièce n'est endommagée ou manquante.

Liste de pièces:

nettoyeur haute pression
manuel d'utilisation
broche de nettoyage de bec de pulvérisation
connecteur rapide du tuyau
crochets de support (2)
poignée de pistolet
lance

ensemble de tuyaux haute pression

REMARQUE : toute pièce endommagée doit être correctement réparée ou remplacée. Appelez notre service clientèle au 1-800-313-5111 pour assistance.

* Installez un crochet de support sur chaque côté.

* Retirez le capuchon d'expédition de la sortie de l'appareil.

* Raccordez la poignée du pistolet au tuyau haute pression.

* Raccordez un tuyau d'arrosage sur le robinet d'eau. (Le tuyau d'arrosage n'est pas inclus.) **REMARQUE** : n'ouvrez pas le robinet tant que vous n'avez pas raccordé le raccord de tuyau à l'écrou d'arrivée d'eau (étape 5)

Instructions d'utilisation

1) Raccordez le tuyau haute pression sur la sortie d'eau située sur l'avant de l'appareil.

2) Insérez la lance de pulvérisation dans la poignée du pistolet.

3) Raccordez le raccord du tuyau à l'extrémité mâle du tuyau d'arrosage.

4) Retirez l'écrou d'entrée d'eau à l'arrière du nettoyeur et vérifiez que le filtre d'eau en entrée ne contient pas de débris ou de sédiments. Nettoyez avant chaque utilisation. Reconnectez fermement l'écrou d'entrée d'eau après le nettoyage du filtre pour éviter une fuite.

5) Enfoncez fermement le raccord de tuyau sur l'écrou d'arrivée d'eau à l'arrière de l'appareil.

6) Ouvrez le robinet d'eau.

7) Branchez le disjoncteur de fuite de terre dans sa prise d'alimentation. Appuyez fermement sur le bouton de test et relâchez-le, appuyez ensuite sur le bouton de réinitialisation et relâchez-le. Le voyant lumineux s'allume. N'utilisez pas l'appareil en cas d'échec du test.

8) Maintenez la gâchette pressée jusqu'à ce que de l'eau s'écoule de manière continue et relâchez la gâchette.

9) Mettez le nettoyeur haute pression en marche. Pressez la gâchette pour mettre le moteur en marche. Le moteur ne démarre que si la gâchette du pistolet est pressée et il s'arrête quand elle est relâchée. (En cas de pause de plus de trois (3) minutes, relâchez la gâchette et mettez l'appareil hors tension.)

10) Tirez sur la lance de pulvérisation pour une basse pression, poussez pour une haute pression. Le détergent ne sera distribué qu'avec une basse pression.

Une fois la tâche terminée, fermez le robinet d'eau et pressez la gâchette du pistolet pour dissiper la pression d'eau. Vous pouvez alors débrancher le tuyau d'arrosage de l'écrou d'entrée d'eau sur l'appareil.



AVERTISSEMENT : veillez à pointer le pistolet dans une direction sûre lors de la mise en marche du nettoyeur haute pression. Une blessure grave peut se produire si le nettoyeur haute pression est pointé vers le visage, les pieds, un animal ou une autre personne lors de son démarrage.



AVERTISSEMENT : lisez le manuel d'utilisation avec attention avant d'utiliser le nettoyeur haute pression. Rangez toujours le nettoyeur dans un endroit où les températures ne seront pas inférieures à 0 °C. Les dégâts provoqués par le gel ne sont pas couverts par la garantie.



AVERTISSEMENT : Quand vous avez fini d'utiliser le nettoyeur haute pression, mettez-le hors tension et débranchez le cordon de la prise électrique.



AVERTISSEMENT : risque de décharge électrique. Ne touchez pas la prise avec les mains mouillées.

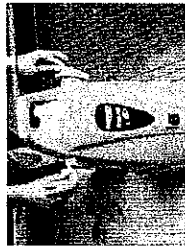
Instructions importantes de montage et d'utilisation

Montage de l'appareil de base

Assurez-vous qu'aucune pièce ne manque :
Reportez-vous au **GUIDE DE DÉMARRAGE RAPIDE**
pour la liste des pièces.

1. Installation des crochets

Faites coulisser les crochets vers le bas sur chaque côté de l'appareil.
** Un crochet maintient le cordon électrique quand l'appareil n'est pas utilisé.
** Un crochet maintient le tuyau de pression quand l'appareil n'est pas utilisé.



2. Dépose du capuchon

Retirez le capuchon en plastique de l'avant de l'appareil.



3. Raccordement du tuyau de pulvérisation au tuyau de pression

Raccordez la poignée du pistolet au tuyau haute pression. Serrez fermement avec une clé à molette.



4. Rangement du pistolet et de la lance de pulvérisation

Placez le pistolet et la lance de pulvérisation dans les supports situés à l'arrière de l'appareil.



Instructions d'utilisation

1. Raccordement du tuyau haute pression

Raccordez le tuyau haute pression sur la sortie d'eau située sur l'avant de l'appareil.
Remarque : une faible quantité d'huile légère et d'eau peut être présente dans la sortie de l'appareil. Ceci est normal.



2. Raccordement de la lance de pulvérisation au pistolet

Insérez la lance de pulvérisation dans la poignée du pistolet. Tournez d'un quart de tour pour assurer que la lance est bien verrouillée en place.



3. Raccordement du connecteur rapide au tuyau

Fixez le connecteur rapide sur l'extrémité mâle du tuyau d'arrosage.



4. Nettoyage du filtre

Le filtre situé derrière le raccord d'entrée d'eau arrière doit être déposé et nettoyé avant chaque utilisation.



5. Raccordement du tuyau à l'appareil

Poussez fermement le connecteur rapide du tuyau sur le raccord de l'entrée d'eau (sur l'arrière de l'appareil) jusqu'à ce que vous entendiez un **DOUBLE** clic et que le raccordement soit serré. (tirez le collier du raccord rapide vers l'arrière pour faciliter le raccordement.)



6. Alimentation en eau

Raccordez le tuyau d'arrosage au robinet d'eau.

ATTENTION : n'ouvrez pas l'eau tant que vous n'avez pas d'abord raccordé le connecteur rapide du tuyau à l'appareil.



7. Branchement à l'alimentation électrique

Branchez le disjoncteur de fuite de terre dans sa prise d'alimentation. Appuyez fermement sur le bouton de test et relâchez-le, appuyez ensuite sur le bouton de réinitialisation et relâchez-le. Le voyant lumineux s'allume. N'utilisez pas l'appareil en cas d'échec du test.



8. Purge de l'air emprisonné

Maintenez la gâchette pressée jusqu'à ce que l'eau s'écoule régulièrement. Ceci garantit que l'air est purgé pour obtenir une meilleure pression de fonctionnement.



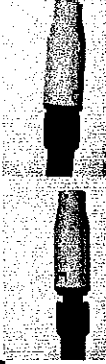
9. Mise en marche du nettoyeur sous pression

Mettez le nettoyeur haute pression en marche. Pressez la gâchette pour mettre le moteur en marche. Le moteur ne démarre que si la gâchette du pistolet est pressée et il s'arrête quand elle est relâchée.



10. Utilisation de détergent avec le bec de pulvérisation

Tirez fermement sur le bec de la lance de pulvérisation pour une basse pression. **** Le détergent ne sera délivré qu'à basse pression. Repoussez-le en place pour revenir à la haute pression. ** Faites tourner le bec de pulvérisation pour contrôler la pulvérisation.



Questions / problèmes ? NE RAPPORTEZ PAS L'APPAREIL AU MAGASIN
Veuillez appeler notre service clientèle au 1-800-313-5111 entre 7h30 et 16h30, heure de l'est, pour toute assistance.

CONSEJOS DE LIMPIEZA

Détergent – Ce qu'il faut utiliser.

Nous conseillons d'utiliser un produit nettoyant conçu spécifiquement pour les nettoyeurs haute pression. N'utilisez jamais d'eau de Javel, d'ammoniaque ou d'eau chaude dans l'appareil.

Conseils et recommandations généraux pour le nettoyage

- Rincez au préalable les surfaces à nettoyer avec de l'eau fraîche.
- Utilisez toujours une basse pression pour appliquer le détergent.
- Ne laissez jamais le détergent sécher sur la surface. S'il apparaît que du détergent sèche avant que vous ne soyez prêt à rincer, il suffit de mouiller la zone avec de l'eau fraîche.
- Avant de nettoyer toute surface, une zone cachée doit être nettoyée afin d'essayer le schéma de pulvérisation et la distance pour des résultats optimum du nettoyage.
- Si des surfaces peintes s'écaillent, faites très attention car le lavage sous pression peut enlever de la peinture de la surface.
- Lors du nettoyage de surfaces pouvant entrer en contact avec des aliments, rincez abondamment ces surfaces avec de l'eau potable.

Nettoyage de terrasses en bois

Pour les meilleurs résultats, limitez votre zone de travail à des sections plus petites d'environ 1,8-2,3 m². Rincez à haute pression dans un long mouvement de balayage en maintenant le bec de pulvérisation à environ 5-15 cm de la surface nettoyée. Nettoyez toujours du haut vers le bas et de la gauche vers la droite. Lors du passage à une nouvelle section de la surface de nettoyage, veillez à chevaucher avec la section précédente pour éliminer les traces d'arrêt et pour assurer un résultat de nettoyage plus homogène.

Parement mural

Pour les meilleurs résultats, limitez votre zone de travail à des sections d'une largeur d'environ 1,5 - 2 mètres et appliquez toujours le détergent du bas vers le haut. Rincez à haute pression du haut vers le bas dans un long mouvement de balayage régulier en maintenant le bec de pulvérisation à environ 13 cm de la surface nettoyée.

Terrasses en ciment, briques et pierre

Pour les meilleurs résultats, limitez votre zone de travail à des sections plus petites d'environ 1,8-2,3 m². En cas d'utilisation de détergent, laissez-le reposer sur la surface pendant 1-3 minutes. Rincez à haute pression dans un mouvement de balayage en maintenant le bec de pulvérisation à environ 5-15 cm de la surface nettoyée. Nettoyez toujours du haut vers le bas et de la gauche vers la droite.

Voitures, motos et bateaux

Pour les meilleurs résultats, nettoyez un seul côté du véhicule à la fois et appliquez toujours le détergent du bas vers le haut. Ne laissez pas le détergent sécher sur la surface. S'il le faut, utilisez la brosse spéciale de lavage pour éliminer les saletés récalcitrantes. Rincez à haute pression dans un mouvement de balayage en maintenant le bec de pulvérisation à environ 15-20 cm de la surface nettoyée (augmentez la distance lors du rinçage des surfaces sensibles ou des rayures fines). Nettoyez toujours du haut vers le bas et de la gauche vers la droite. Pour les meilleurs résultats, essuyez la surface avec une peau de chamois ou un chiffon doux sec.

Équipement électrique extérieur, outils de jardin et grills

Laissez le détergent reposer sur la surface pendant 1-3 minutes. Rincez à haute pression en maintenant le bec de pulvérisation à environ 5-15 cm de la surface nettoyée. Pour éliminer la saleté extrêmement récalcitrante, il peut être nécessaire de rapprocher le bec de pulvérisation vers la surface pour une action supérieure de découpe de la saleté.

Meubles de jardin

S'il le faut, utilisez la brosse spéciale de lavage pour éliminer les saletés récalcitrantes. Rincez à haute pression dans un long mouvement de balayage en maintenant le bec de pulvérisation à environ 7-15 cm de la surface nettoyée. Pour le meilleur résultat, nettoyez toujours du haut vers le bas et de la gauche vers la droite.

Vidange du distributeur de savon.

Faites couler de l'eau dans le distributeur de savon à l'aide du pistolet pour vider le distributeur.

ENTRETIEN

Si vous faites tomber l'appareil, inspectez-le soigneusement pour repérer tout signe de dommage éventuel. Si vous découvrez toute condition qui pourrait empêcher l'appareil de fonctionner correctement, appelez notre service clientèle au 1-800-313-5111 pour assistance.



MISE EN GARDE : ne laissez pas de liquides tels que le fluide de freins, l'essence, les produits à base de pétrole, les huiles pénétrantes, etc., entrer en contact avec les pièces en plastique. Ces liquides contiennent des produits chimiques susceptibles d'endommager, d'affaiblir ou de détruire le plastique.

Les engrais et autres produits chimiques pour le jardin contiennent des agents qui peuvent accélérer considérablement la vitesse de corrosion des métaux. Ne rangez pas l'appareil sur ou près d'engrais ou de produits chimiques.

Si un bec de pulvérisation se bouche, il provoquera une augmentation de la pression de la pompe et éventuellement une déformation du schéma de pulvérisation. Nettoyez immédiatement le bec si cela se produit.

Séparez la lance de pulvérisation de la poignée du pistolet. Nettoyez le bec avec la broche de nettoyage. Rincez le bec à l'eau.

Reconnectez la lance de pulvérisation sur la poignée du pistolet et remettez le nettoyeur haute pression en marche. Si le bec est toujours bouché, répétez les étapes ci-dessus.



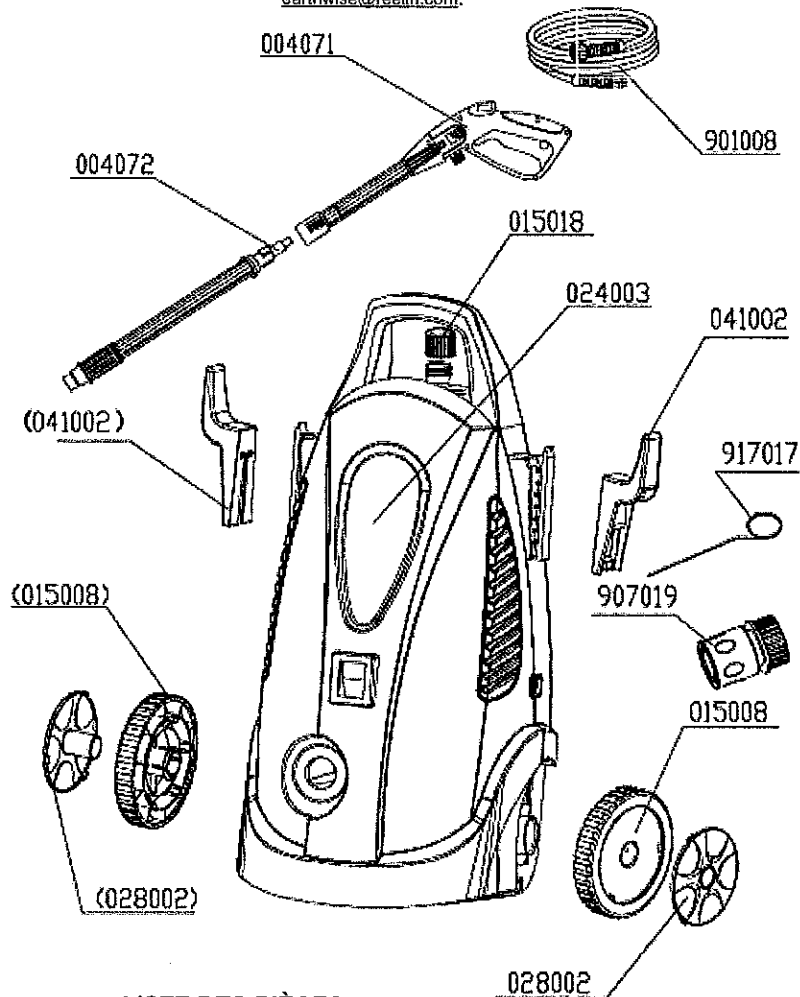
ATTENTION : n'utilisez la broche nettoyage que si la lance de pulvérisation est déconnectée de la poignée du pistolet. Le non-respect de cette consigne peut entraîner des blessures graves.



IMPORTANT : pour garantir la **SÉCURITÉ** et la **FIABILITÉ** de l'appareil, les réparations, l'entretien et les réglages doivent être faits par un personne qualifiée.

APPELEZ-NOUS D'ABORD!!

En cas de questions sur le fonctionnement et l'entretien de votre laveuse à pression, appelez-nous au 1-800-313-5111, de 7 h 30 à 16 h 30 HNE, ou envoyez-nous un courriel à l'adresse : earthwise@reelin.com.



LISTE DES PIÈCES

N° de pièce	Description
917017	Aligulle de nettoyage de pistolet
907019	Connexion rapide du tuyau
004071	Poignée du pistolet
004072	Tige du pulvérisateur
015018	Capuchon pour distributeur de savon
901008	Ensemble du tuyau à haute pression
041002	Crochet de suspension
015008	Roue
028002	Cache-roue
024003	Unité principale

DÉPANNAGE

Problème	Cause possible	Solutions possibles
Le moteur ne démarre pas	<ul style="list-style-type: none"> - Le commutateur est sur la position d'arrêt (OFF) - Le cordon électrique n'est pas branché - La prise électrique ne fournit pas la puissance nécessaire - La gâchette du pistolet de pulvérisation n'est pas enclenchée 	<ul style="list-style-type: none"> - Passez le commutateur en position de marche (ON) - Branchez le cordon électrique - Essayez une autre prise - Enclenchez la gâchette du pistolet de pulvérisation
Le moteur s'arrête brusquement	<ul style="list-style-type: none"> - Le commutateur thermosensible a provoqué automatiquement l'arrêt du moteur pour cause de surchauffe 	<ul style="list-style-type: none"> - Vérifiez que la tension principale correspond aux spécifications
L'appareil n'atteint pas le niveau de haute pression	<ul style="list-style-type: none"> - Le filtre d'arrivée d'eau est obstrué - Le volume d'eau entrant n'est pas suffisant - L'arrivée d'eau est restreinte - La pompe aspire de l'air des connexions ou des tuyaux - Les valves sont obstruées ou usées 	<ul style="list-style-type: none"> - Nettoyez le filtre d'arrivée d'eau - Ouvrez le robinet d'arrivée d'eau à fond - Vérifiez le tuyau d'arrosage pour toute vrille - Vérifiez que toutes les connexions sont bien serrées - Appelez notre service clientèle au 1-800-313-5111 pour assistance.
La pression sortante est instable	<ul style="list-style-type: none"> - La pompe aspire de l'air - Le filtre d'arrivée d'eau est obstrué - L'arrivée d'eau n'est pas assez forte - Les valves sont sales, usées ou coincées - Les joints de la pompe sont usés 	<ul style="list-style-type: none"> - Vérifiez que les tuyaux et les connexions sont bien serrés. Éteignez la machine et purgez la pompe en appuyant sur la gâchette du pistolet de pulvérisation jusqu'à obtenir un flux d'eau continu. - Nettoyez le filtre d'arrivée d'eau - Ouvrez le robinet d'arrivée d'eau à fond - Appelez notre service clientèle au 1-800-313-5111 pour assistance.
De l'eau fuit de la pompe	<ul style="list-style-type: none"> - Les joints de la pompe sont usés 	<ul style="list-style-type: none"> - Appelez notre service clientèle au 1-800-313-5111 pour assistance.
Le détergent n'est pas distribué.	<ul style="list-style-type: none"> - La lance de pulvérisation est en mode haute pression, le détergent ne sera distribué qu'avec une basse pression. - Le bec est bouché par des débris. 	<ul style="list-style-type: none"> - Tirez sur la lance de pulvérisation pour une basse pression. - Déconnectez la lance de pulvérisation de la poignée du pistolet, nettoyez avec la broche de nettoyage du bec et rincez à l'eau.
Pression faible	<ul style="list-style-type: none"> - Le robinet n'est pas ouvert à fond ou d'appareil ne reçoit pas un volume complet d'eau. 	<ul style="list-style-type: none"> - Ouvrez le robinet à fond. - Vérifiez que le tuyau d'arrosage n'est pas plié. - Nettoyez le filtre d'entrée.
L'appareil ne s'arrête pas quand la gâchette est relâchée.	<ul style="list-style-type: none"> - Le pistolet ne fonctionne pas correctement. 	<ul style="list-style-type: none"> - Appelez le service clientèle au 1-800-313-5111 pour assistance.

GARANTIE

GARANTIE LIMITÉE POUR LES LAVEUSES À PRESSION

Cet appareil est fabriqué par The Great States Corporation/American Lawn Mower Company. La société Great States Corporation/American Lawn Mower Company, basée à Shelbyville, en Indiana, fabrique des tondeuses depuis plus de 100 ans. Elle garantit au propriétaire d'origine que tout nouveau produit et que toute pièce sont exempts de tout vice de matériau ou de fabrication et s'engage à réparer ou remplacer dans le cadre de cette garantie tout produit ou toute pièce s'avérant défectueux, et ce, pendant un (1) an à partir de la date d'origine d'achat, à l'exception des cas ou circonstances indiqués ci-dessous. Une preuve d'achat (reçu de vente d'origine daté) doit accompagner toute réclamation.

CETTE GARANTIE N'EST PAS CESSIBLE ET NE COUVRE PAS :

Les produits vendus endommagés ou incomplets, vendus « tels quels », vendus après avoir été réparés, ou après avoir été utilisés comme équipement de location.

La livraison, l'installation, les réglages normaux expliqués dans le manuel d'utilisation.

Tout dommage ou toute responsabilité causé au cours de l'expédition, par une manipulation ou une installation incorrecte, une tension ou une installation électrique inadéquate, un entretien incorrect, des modifications incorrectes, l'utilisation d'accessoires ou de pièces non recommandés explicitement.

Les réparations nécessaires découlant d'un usage abusif par l'utilisateur ou de sa négligence, ou de toute négligence en matière d'installation, d'utilisation, d'entretien ou de rangement de l'appareil conformément aux instructions indiquées dans le manuel d'utilisation.

Les dommages causés par le froid, la chaleur, la pluie, l'humidité excessive, un environnement ou des produits corrosifs ou tout autre contaminant.

Les articles consommables qui s'usent au cours d'un cycle de vie normal.

Les défauts superficiels qui ne perturbent pas le bon fonctionnement de l'appareil.

Les frais de transport entre le client et le vendeur.

Les coûts de réparation et de transport des produits et pièces qui seront jugés comme n'étant pas défectueux.

TOUTE PERTE, TOUT DOMMAGE OU TOUT COÛT ACCIDENTEL, INDIRECT OU CONSÉCUTIF QUI POURRAIENT RÉSULTER DE TOUT DÉFAUT, TOUTE PANNE OU TOUT FONCTIONNEMENT DÉFECTUEUX DE L'APPAREIL. Certains états, territoires ou provinces interdisent toute restriction relative à la durée d'une garantie implicite. Les restrictions susmentionnées peuvent donc ne pas s'appliquer à votre cas.

TOUTE UTILISATION NON-RÉSIDENTIEL OU TOUTE UTILISATION COMMERCIALE ANNULE TOUTE GARANTIE.



830 Webster Street
Shelbyville, IN 46176
Téléphone : 1-800-313-5111
www.reelin.com/earthwise

Dans le cadre de son engagement à toujours améliorer la qualité, le fabricant se réserve le droit de faire tout changement de pièce ou de conception qu'il juge nécessaire.